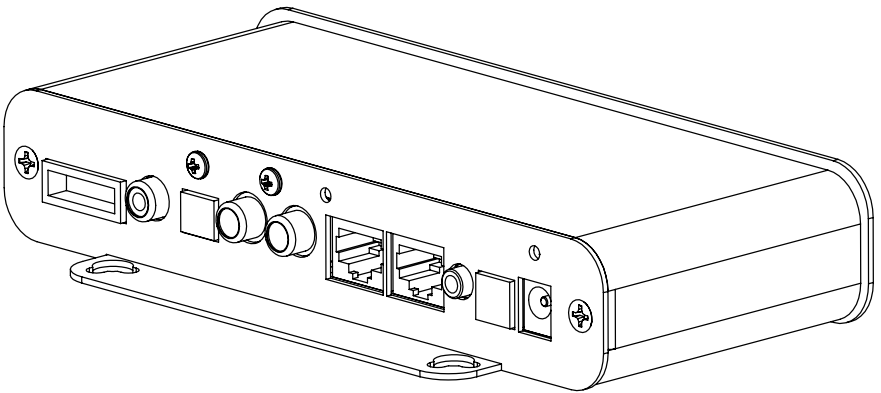


INSTRUCTIONS



A0351

100W Table-Top Amplifier

 CHANNEL VISION™

©2018 CHANNEL VISION TECHNOLOGY

IMPORTANT SAFETY INSTRUCTIONS

1. Read these instructions.
2. Keep these instructions for future reference.
3. Heed all warnings.
4. Follow all instructions.
5. Do not use this device near water.
6. Clean only with a dry cloth.
7. Do not block any ventilation openings. Install in accordance with these instructions.
8. Do not install near any heat sources such as radiators, heat registers, stoves, or other apparatus that produce heat.
9. This apparatus must not be exposed to dripping or splashing water and no objects filled with liquids, such as vases, shall be placed on the apparatus.
10. Protect the power cord from being walked on or pinched particularly at plugs, convenience receptacles, and the point where they exit from the apparatus.
11. Unplug this apparatus during lightning storms or when unused for long periods of time.

12. 

CAUTION
RISK OF ELECTRIC SHOCK DO NOT OPEN



Warning: To reduce the risk of electric shock, do not remove the cover (or back), no user serviceable parts inside, refer servicing to qualified service personnel.

The **A0351** Table-Top Amplifier can be used with Channel Vision's CAT5 audio hubs to provide a powerful 100 Watt Amplifier, 50Watts per channel in the listening zone with an output for a powered sub-woofer.

Features:

100 Watt integrated class D amplifier

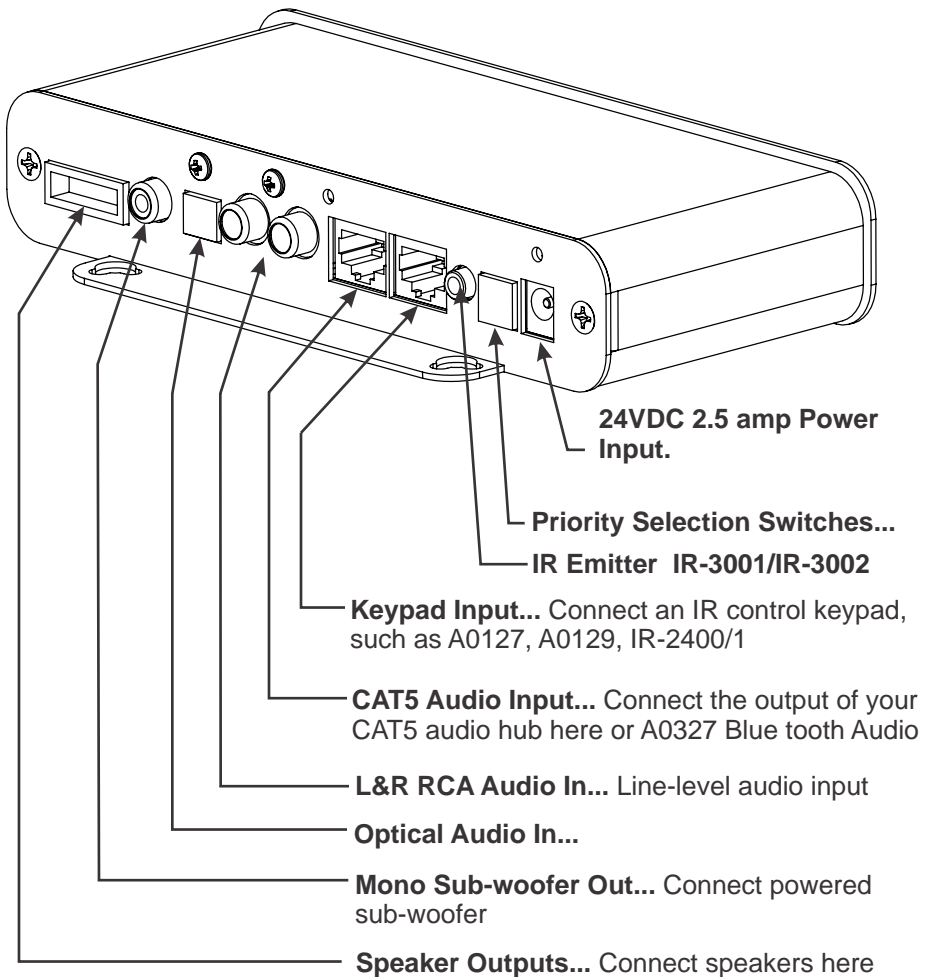
Mono sub-woofer output for easy connection to a powered sub-woofer

Optical audio and Local audio inputs from a TV or music system

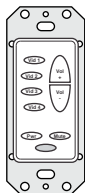
Cat-5 input for use with Channel Vision's CAT5 audio systems

Volume Control & source selection using A0127 keypad/IR Remote

Integrated IR Repeating



Accessories & Complementary Products (sold separately)



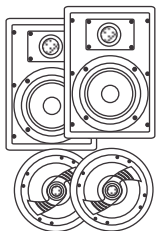
A0127/A0129 ... IR repeating keypad. The A0127 contains the IR codes to operate the volume controls in the Amplifier Audio Receiver. You may also use a standard IR receiver or a 3rd party keypad. When using a simple IR receiver, you will need to use the A0505 remote control which contains the IR codes to control the A0361. IR codes can be downloaded from www.channelvision.com, or learned from an A0505 remote control.

IR-2400/IR-2401 IR receiver

IR-3002 flasher/emitter




A0501, A0502, or A0505 ... Remote control. Contains IR codes for controlling the Amplified Wireless Audio Receiver as well as many other Channel Vision audio products.



In-wall, In-ceiling Speakers, and Free Standing Speakers... Channel Vision offers a full line of premium speakers. These speakers are perfect for whole-house music or home theater applications.

Accessories (In the Box)

Speaker Terminal Connector 

2ea. Self Tapping Screws 

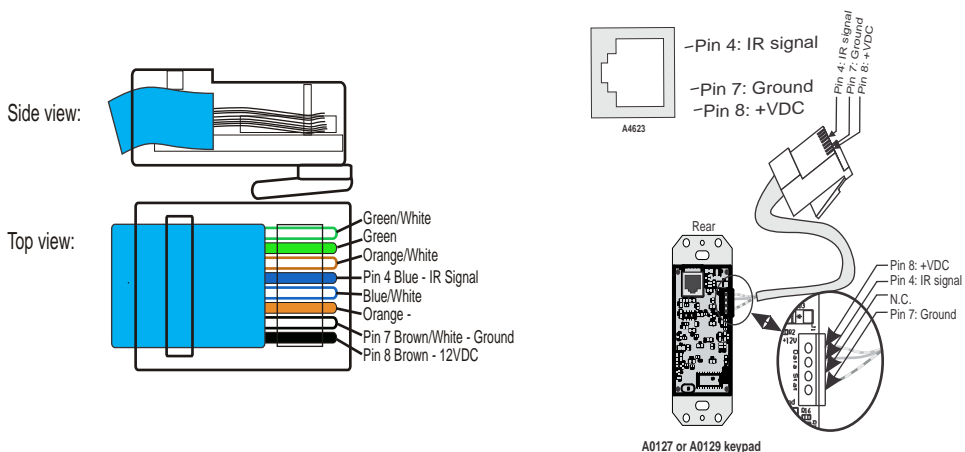
24VDC, 2.5 Amp Power Supply



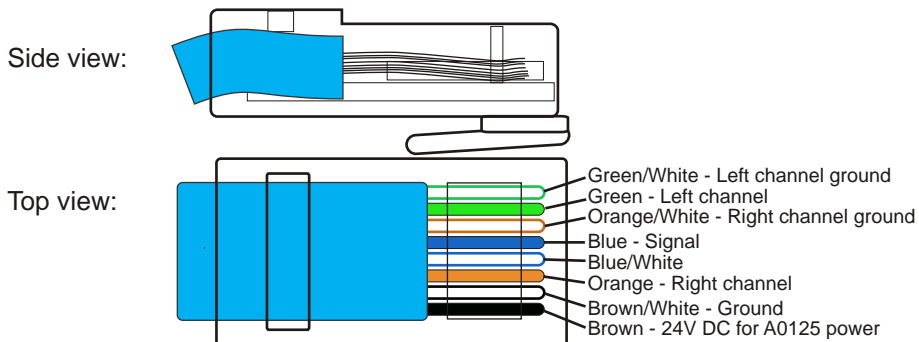
Teach the amplifier your Tv's volume commands

- Step 1: Turn off all music sources. Connect A0129/A0127 in IR Keypad input. Confirm active LED is RED.
- Step 2: Change dip switch position to IR Learning setting as shown in table.
 Switch 1 = Down
 Switch 2 = Down
 Switch 3 = UP
- Step 3: Point your TV remote to A0129 keypad and press Volume UP button once. The active LED on A0351/A0361 will turn green.
- Step 4: Point your TV remote toward keypad and press Volume DOWN button once. The active LED on A0351/A0361 will turn red again.
- Step 5: Change dip switches to your desired setting on next page
 TEST the Volume control with your TV remote and be amazed.

TIA-568A RJ-45 Modular Plug for IR Keypad or IR-2400 Input Connector



TIA-568A RJ-45 Modular Plug for Audio Input Connector



Priority Switch Settings:

The Channel Vision Amplifier has 3 switches to set the priority of audio sources. Default position of these switches will be all DOWN.

*User may change switch setting and customize priority of sources as per the table shown below:

Switch #1	Switch #2	Switch #3	Priority for auto-selecting sources
DOWN	DOWN	DOWN	Optical, RCA/CAT5
DOWN	DOWN	UP	IR Learning
DOWN	UP	UP	Optical, RCA/CAT5(individual volume)**
UP	UP	UP	IR selects source*

*When all switches are in UP position the Source selection is controlled using IR Remote A0505 or A0127 Keypad.

Source selection using Channel Vision IR Remote/keypad is as shown below:

- 1—Optical Audio Selected
- 2—Analog Audio Selected
- 3—CAT5 Audio Selected

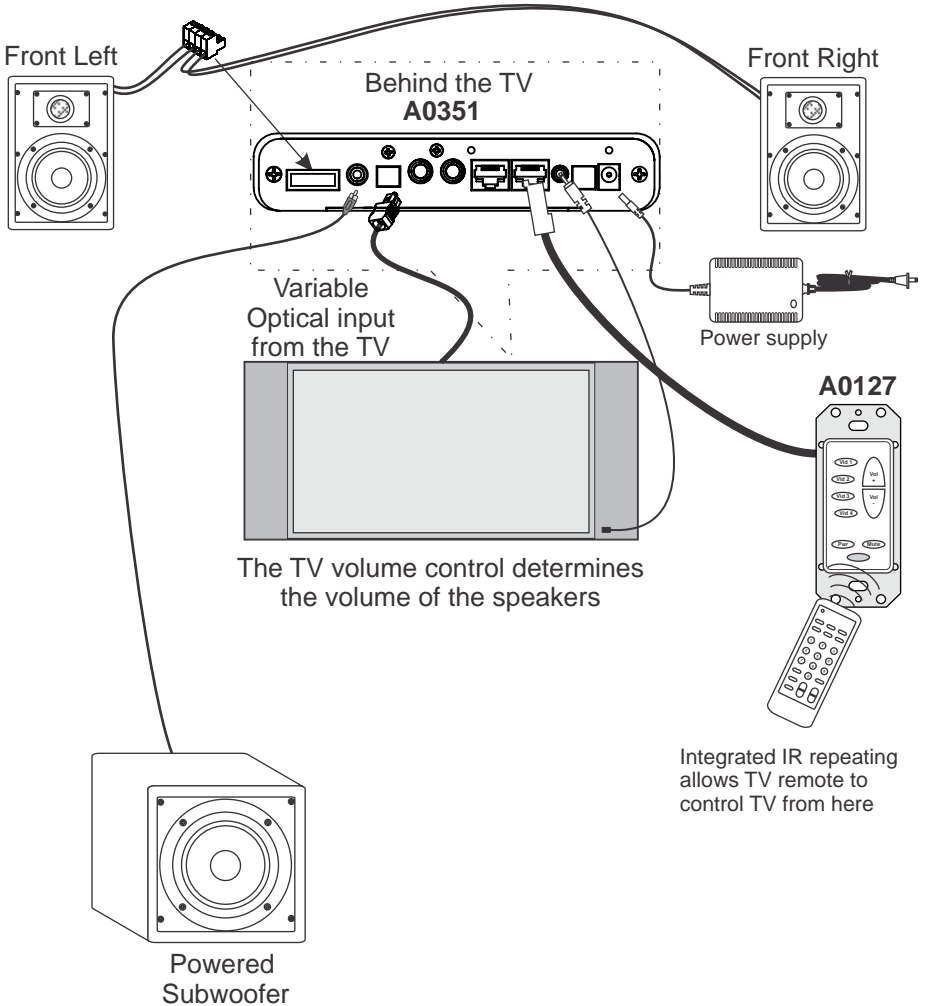
Note: Volume Control using IR Keypad/Remote works at any setting of these switches.

**individual volume indicates each source can be set to a specific volume and will hold on to the set volume level unless changed by the user when playing that source.

When power is turned ON in this setting, each source starts at 25% and can be set to any volume without changing the volume on other sources.

Using the A0351 Behind a TV or as a Stand Alone System

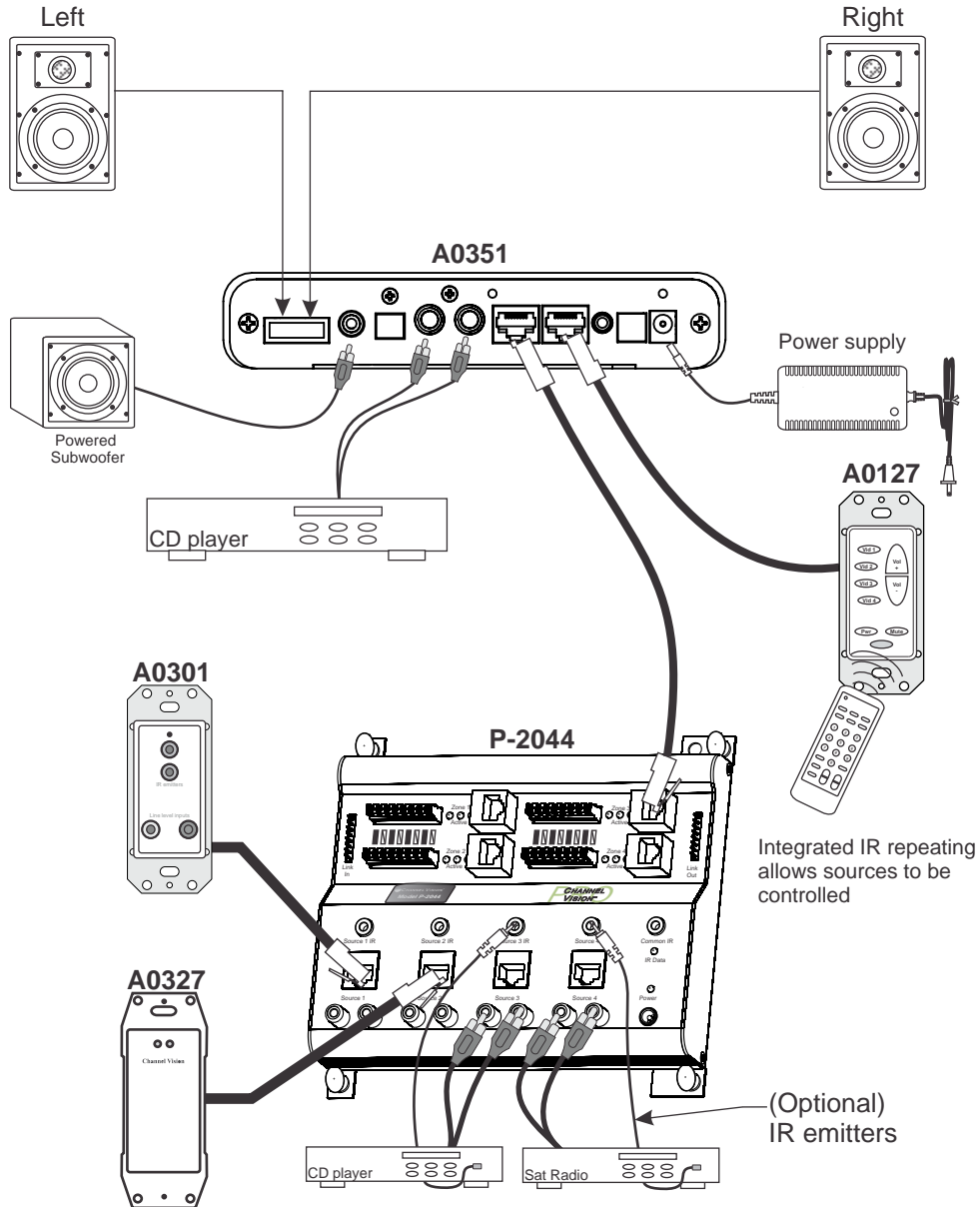
The A0351 can be mounted behind a wall-mounted TV to power in-wall speakers. By connecting the audio outputs from the TV to the Optical inputs of the A0351, the TV's audio signal will be amplified to the in-wall speakers. If the TV has variable audio outputs, the sound level will simply be controlled by the TV's volume buttons. If the TV only offers a fixed audio output, A0351 volume level can be adjusted by connecting any of the following: A0129/ A0127/IR-2400 ir keypads and using a compatible remote such as model A0505. The sub-woofer output on A0351 can be connected to a powered sub-woofer to add more bass to your audio system.



The TV volume control will determine the volume of the powered subwoofer.

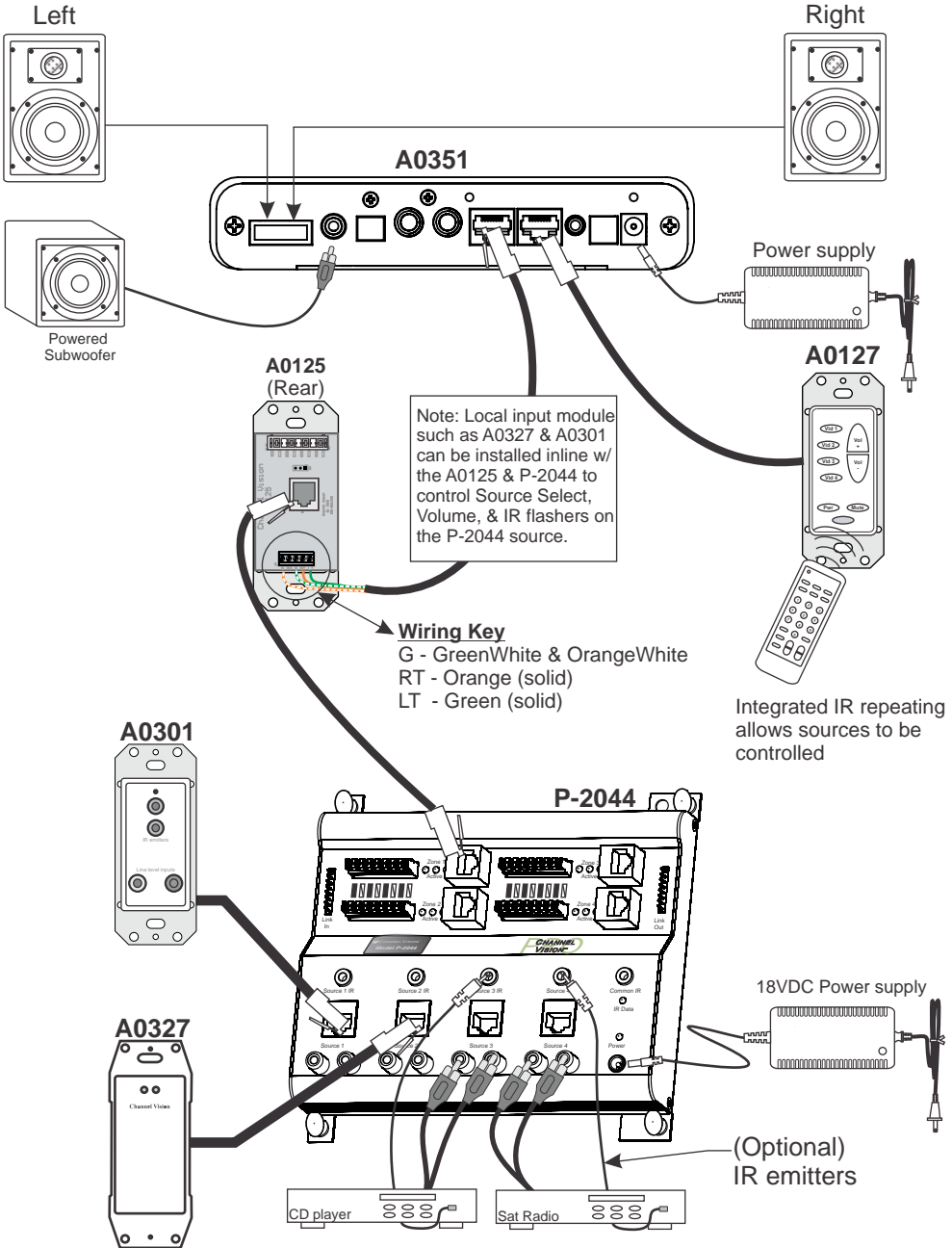
Using the A0351 with a CAT5 Audio Hub

The A0351 can accept the signal from one Channel Vision's CAT5 Audio Hubs, such as the P-2044. Audio and IR signals are transmitted through the CAT5 cable, while power is connected directly to the back of the A0351.



A0351 with a Multi-Room Audio Hub - Alternate Setup

The A0351 can accept the signal from Channel Vision's CAT5 Audio Hubs, such as the P-2044/P-1014. A0125 keypad can be wired to the CAT5 input along with other input modules to accommodate more CAT5 Audio wiring distribution with an amplifier located inside of the room/zone while sources play in a remote room and throughout the home & controlled remotely.



Specifications:

Power input:	24VDC, 2.5 amp, earth ground negative, 3 plug UL approved transformer
Audio Output:	100 Watts/ 50 Watts x2
OHMS	8 ohms @ <1% THD
Frequency Response:	20-20kHz (+/-3dB)
Signal to Noise Ratio:	>85dB
Subwoofer output frequency	20-80 Hz
Input Sensitivity:	50 mV RMS
Operating temperature:	-8 ~ +130° C

Specifications subject to change without notice

LED Indications:

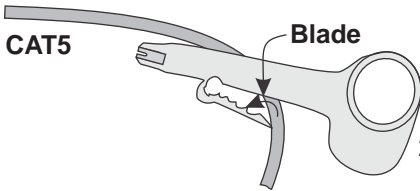
PWR LED: LED ON indicates Power to the amplifier is ON

Active LED: Red indicates no audio input - Amplifier is in standby.
Green indicates audio input is present.
Volume Control works only when this LED is green.

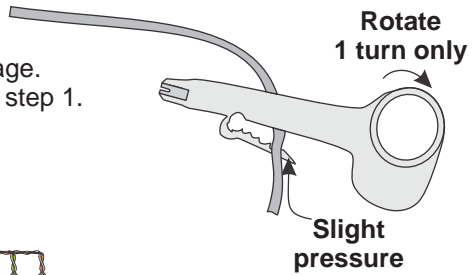
Stripping and Connecting CAT5 Wire

CAT5 cable should be stripped with a proper stripping tool, such as Channel Vision's J-110 tool.

1. Place the CAT5 between the blade and the first notch of the J-110 tool.



2. Rotate the tool only once. Multiple turns could damage the inner wires.



3. Inspect the inner wires for damage. If any wires are cut start over at step 1.



CHANNEL VISION™

In the unlikely event you require the 1 year warranty service, Channel Vision Technology will repair or replace any defect in material or workmanship which occurs during normal use of this product with new or rebuilt parts, free of charge in the USA, for one year from the date of original purchase.

Please refer to our complete warranty details at <http://www.channelvision.com/warranty/>



Note: This equipment has been tested and found to comply with the limits for a Class B digital device, pursuant to part 15 of the FCC Rules. These limits are designed to provide reasonable protection against harmful interference in a residential installation.

This equipment generates, uses and can radiate radio frequency energy and, if not installed and used in accordance with the instructions, may cause harmful interference to radio communications. However, there is no guarantee that interference will not occur in a particular installation. If this equipment does cause harmful interference to radio or television reception, which can be determined by turning the equipment off and on, the user is encouraged to try to correct the interference by one or more of the following measures:

- ▲ Reorient or relocate the receiving antenna.
- ▲ Increase the separation between the equipment and receiver.
- ▲ Connect the equipment into an outlet on a circuit different from that to which the receiver is connected.
- ▲ Consult the dealer or an experienced radio/TV technician for help.
- ▲ Modifications not expressly approved by the manufacturer could void the user's authority to operated the equipment under FCC rules.

 CHANNEL VISION™
www.channelvision.com

714/424-6500 sales@channelvision.com