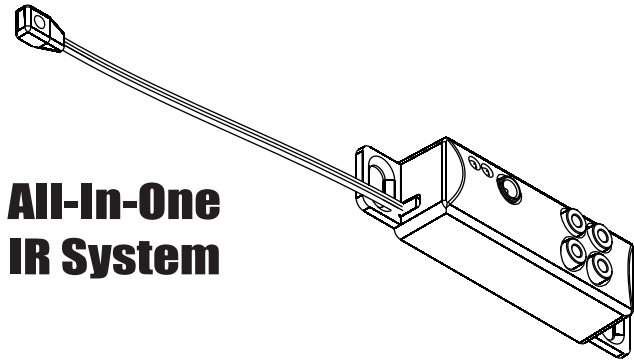


CHANNEL VISION™

IR-5001 USERS GUIDE

**All-In-One
IR System**

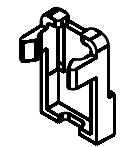
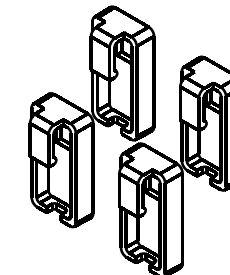
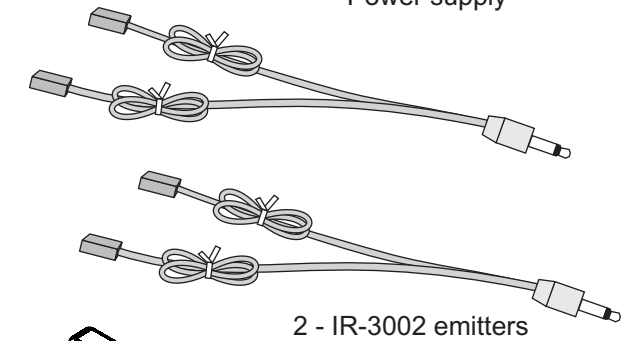
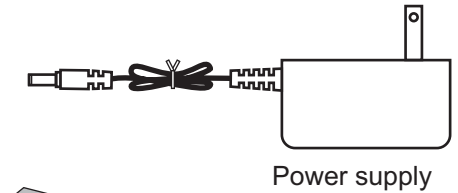
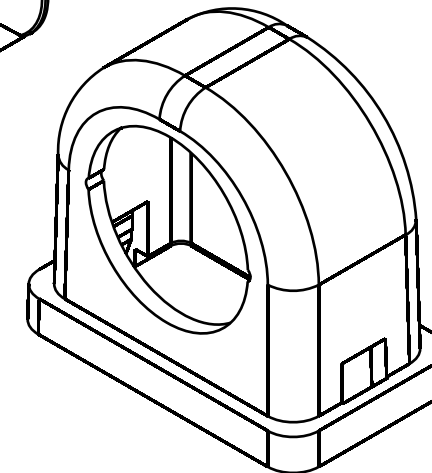
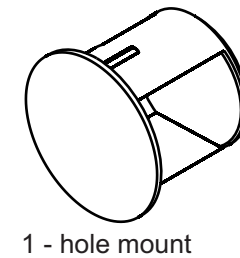


CHANNEL VISION™ 1 Year Limited Warranty

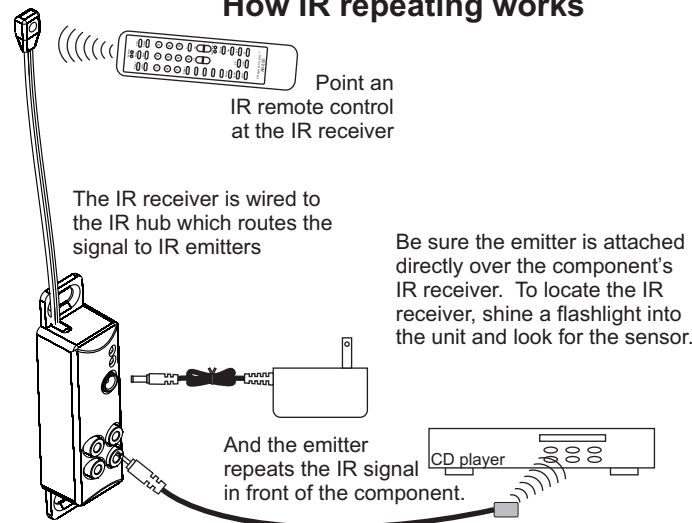
Channel Vision Technology will repair or replace any defect in material or workmanship which occurs during normal use of this product with new or rebuilt parts, free of charge in the USA, for one year from the date of original purchase. This is a no hassle warranty with no mail in warranty card needed. This warranty does not cover damages in shipment, acts of God, failures caused by other products not supplied by Channel Vision Technology, or failures due to accident, misuse, abuse, or alteration of the equipment. This warranty is extended only to the original purchaser when purchased from an authorized reseller and a purchase receipt, invoice, or other proof of original purchase date will be required before warranty repairs are provided. Mail in service can be obtained during the warranty period by calling (800) 840-0288 toll free. A Return Authorization number must be obtained in advance and can be marked on the outside of the shipping carton. This warranty gives you specific legal rights and you may have other rights (which vary from state to state). If a problem with this product develops during or after the warranty period, please contact Channel Vision Technology, your dealer or any factory-authorized service center. Channel Vision products are not intended for use in medical, lifesaving, life sustaining or critical environment applications. Channel Vision customers using or selling Channel Vision products for use in such applications do so at their own risk and agree to fully indemnify Channel Vision for any damages resulting from such improper use or sale.

500-389 rev A

The IR-5001 includes these items:



How IR repeating works



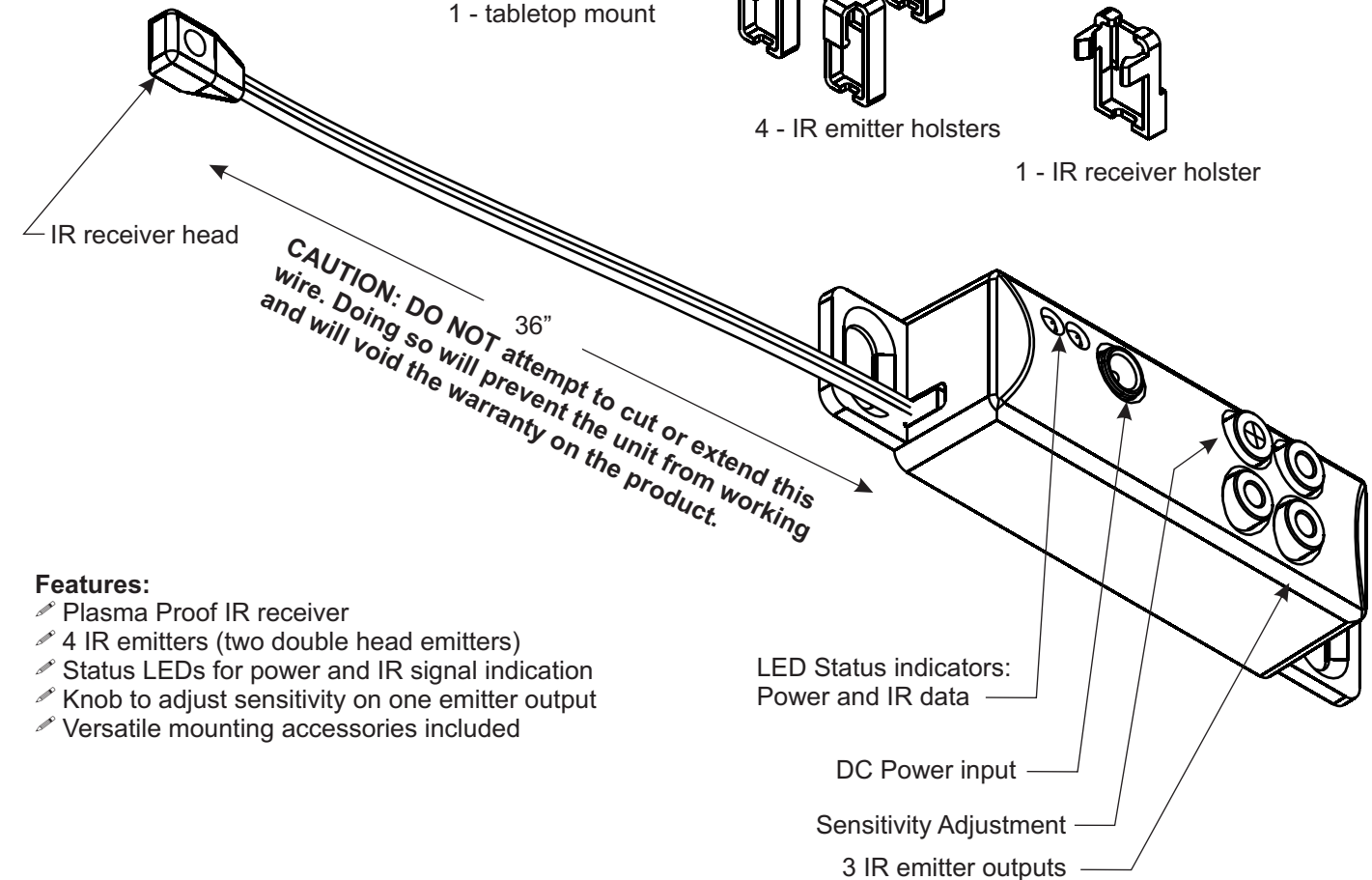
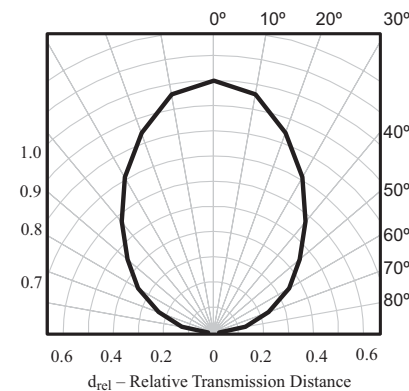
Directivity of IR Sensor

The effective receive distance of all IR receivers changes when the IR remote control is not directly in front of the IR sensor.

The graph below describes the performance of the IR sensor device used in this Channel Vision IR receiver. Please note that the graph below marks the distance as a percentage of the maximum distance. So at 0°, the distance is 1.0 (or 100%) and at 30°, the distance is 0.7 (or 70%) and so on.

Actual transmission distances are dependent upon frequency of remote control (40kHz has max range) and luminosity of remote control (i.e. Some remotes are brighter than others.)

Under ideal conditions, ranges of >40 feet are possible.



Features:

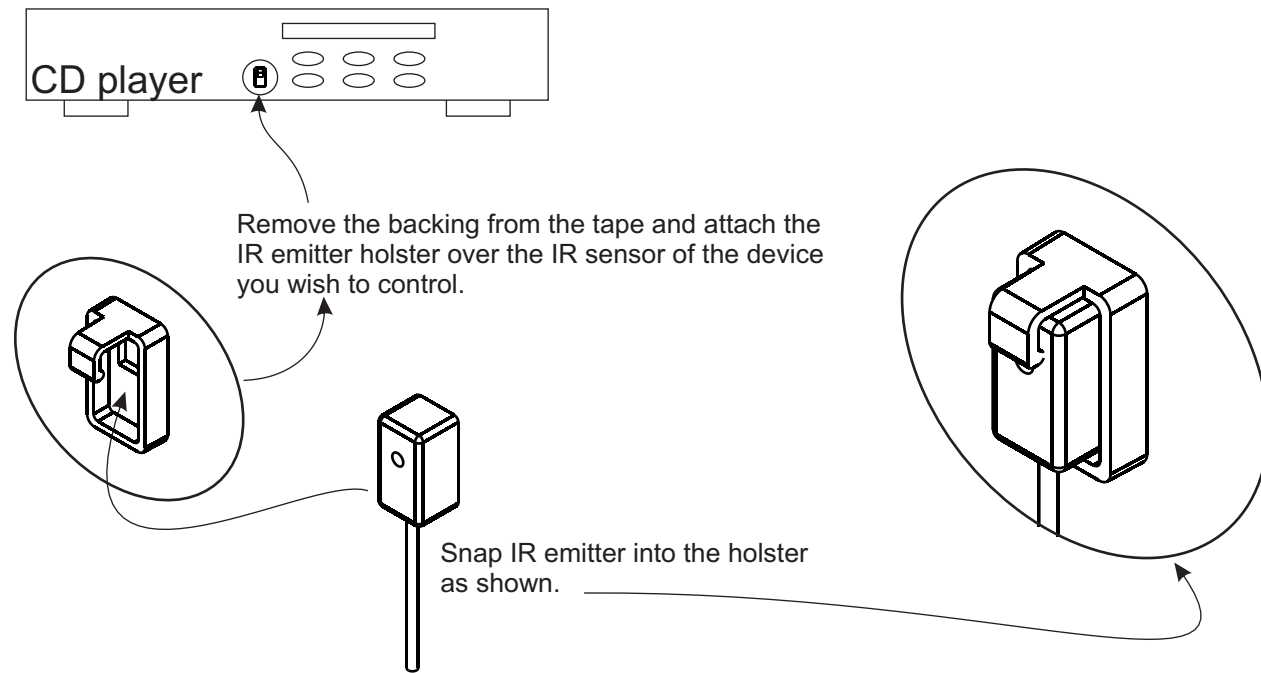
- Plasma Proof IR receiver
- 4 IR emitters (two double head emitters)
- Status LEDs for power and IR signal indication
- Knob to adjust sensitivity on one emitter output
- Versatile mounting accessories included

Specifications: (typical)

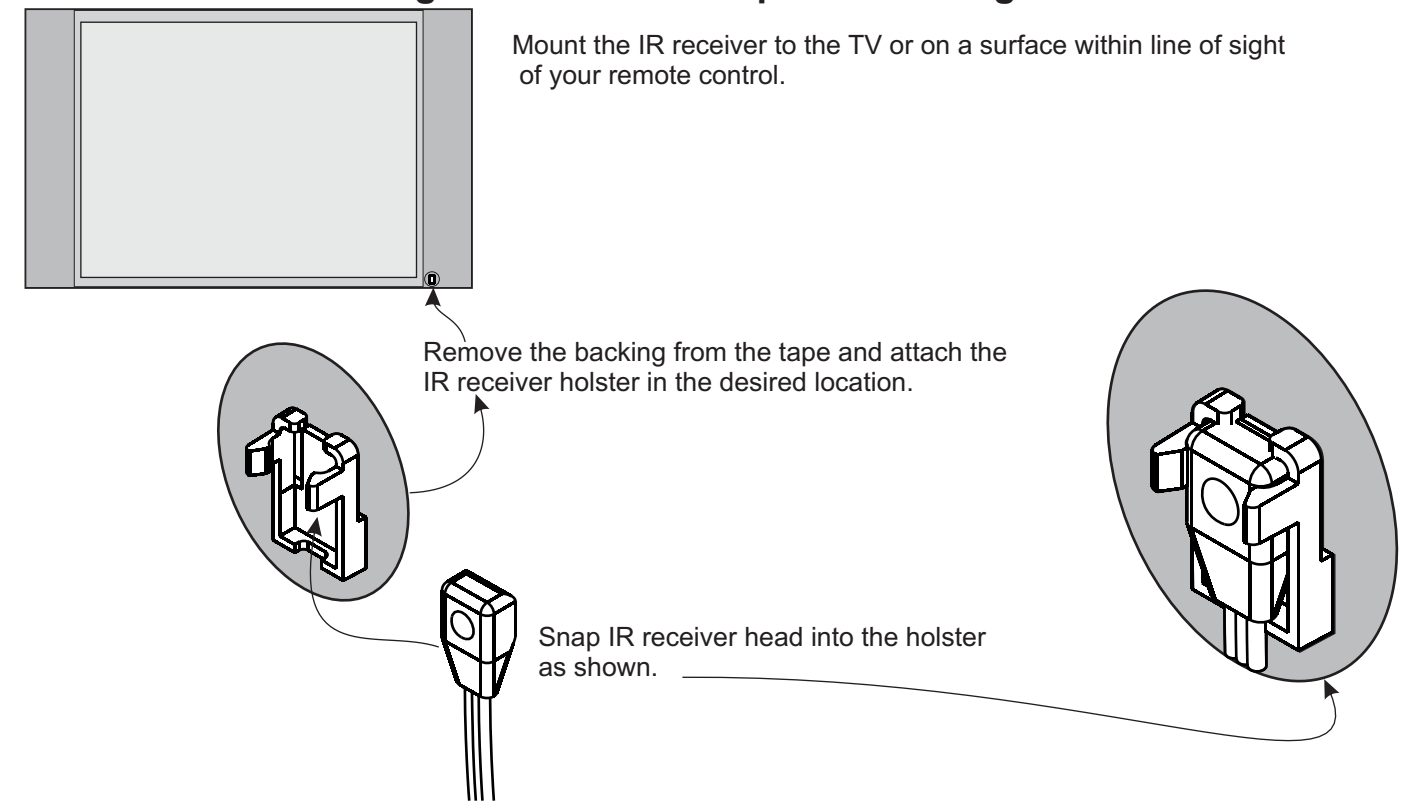
Power Supply Voltage:	12vDC 250mA switching
IR Freq. range supported:	36 kHz - 60 kHz
IR pickup range:	40 ft. @ 38kHz, 20 ft. @ 56kHz
IR receiver head dimensions:	0.65" x 0.35" x 0.25"
IR emitter outputs:	3
Color:	Black

*Specifications subject to change without notice.

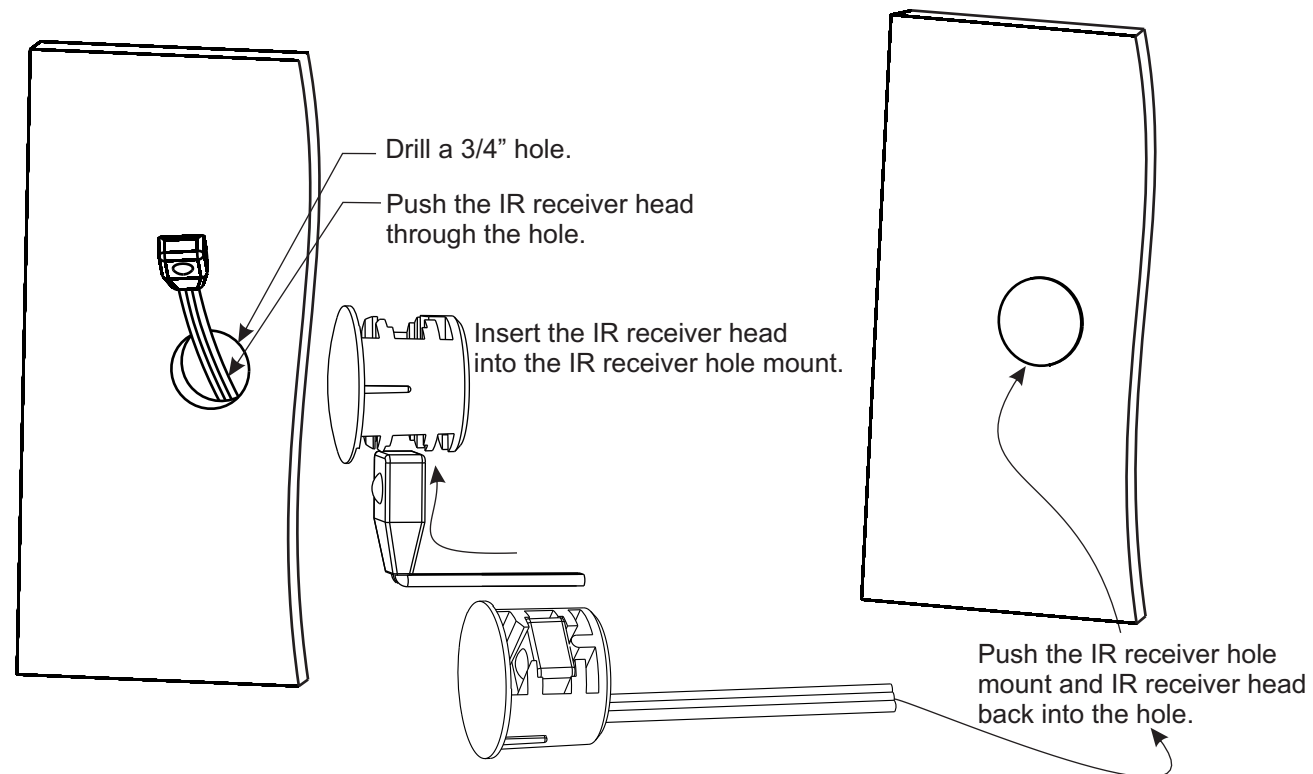
Mounting the IR emitter



Mounting the IR receiver: Option 1 - Using the holster



Mounting the IR receiver: Option 2 - Using the hole mount



Mounting the IR receiver: Option 3 - Using the tabletop mount

