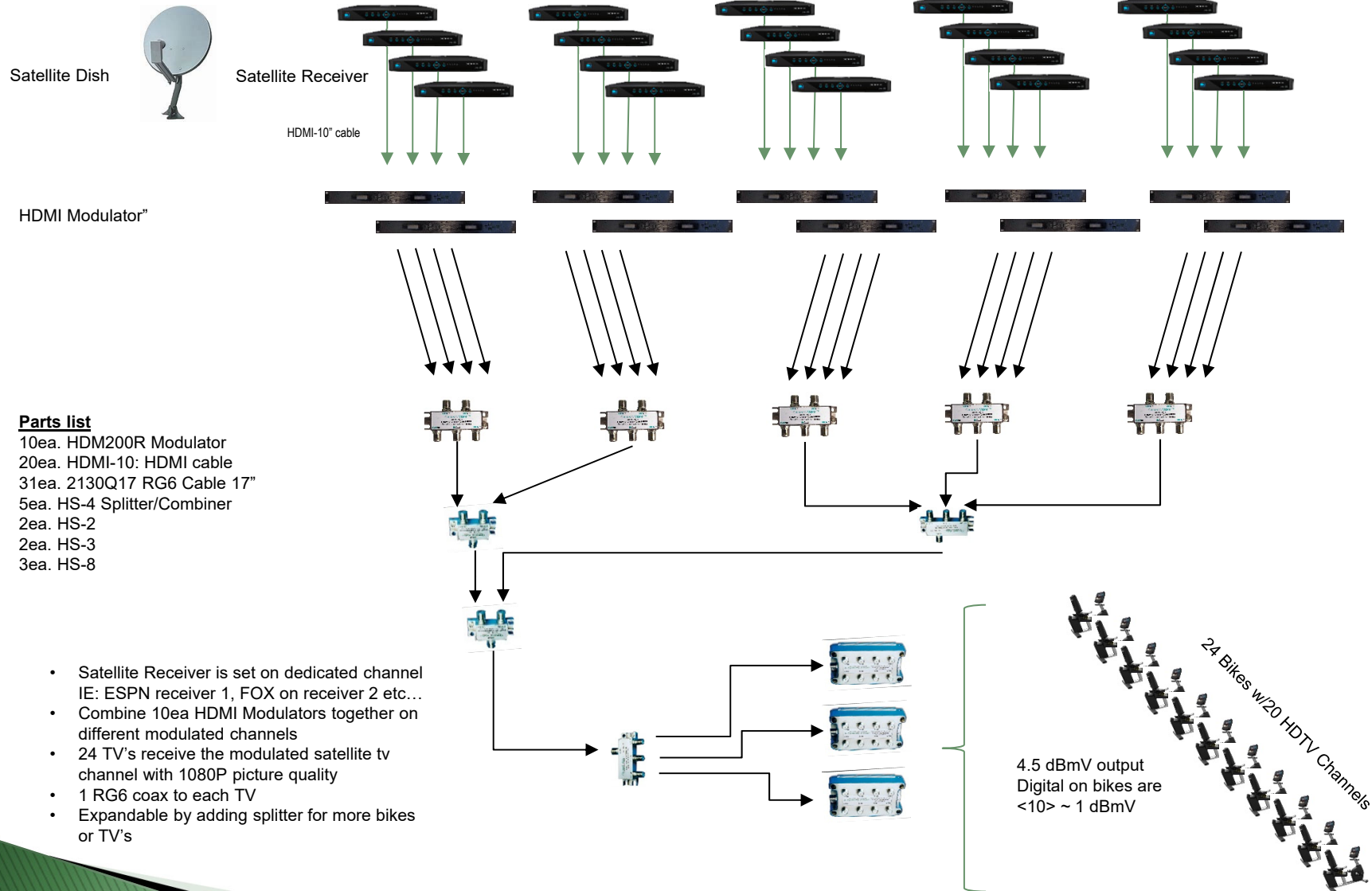


HDMI Modulation with Satellite Receivers



Parts list

- 10ea. HDM200R Modulator
- 20ea. HDMI-10: HDMI cable
- 31ea. 2130Q17 RG6 Cable 17"
- 5ea. HS-4 Splitter/Combiner
- 2ea. HS-2
- 2ea. HS-3
- 3ea. HS-8

- Satellite Receiver is set on dedicated channel IE: ESPN receiver 1, FOX on receiver 2 etc...
- Combine 10ea HDMI Modulators together on different modulated channels
- 24 TV's receive the modulated satellite tv channel with 1080P picture quality
- 1 RG6 coax to each TV
- Expandable by adding splitter for more bikes or TV's

4.5 dBmV output
 Digital on bikes are
 <10> ~ 1 dBmV