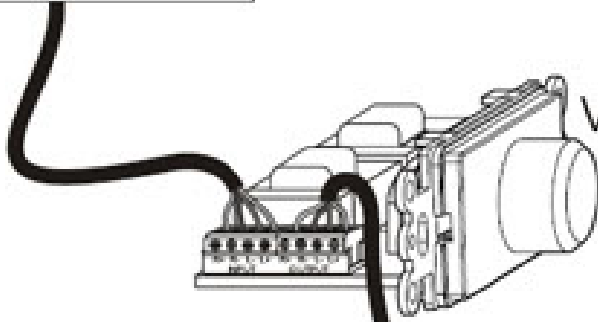


Use mounting screws to attach the A0302 to the low voltage ring.

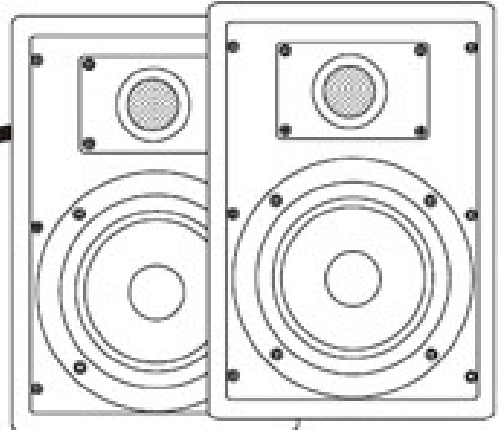
Snap on the screwless decorator trim plate.

Audio Amplifier ○

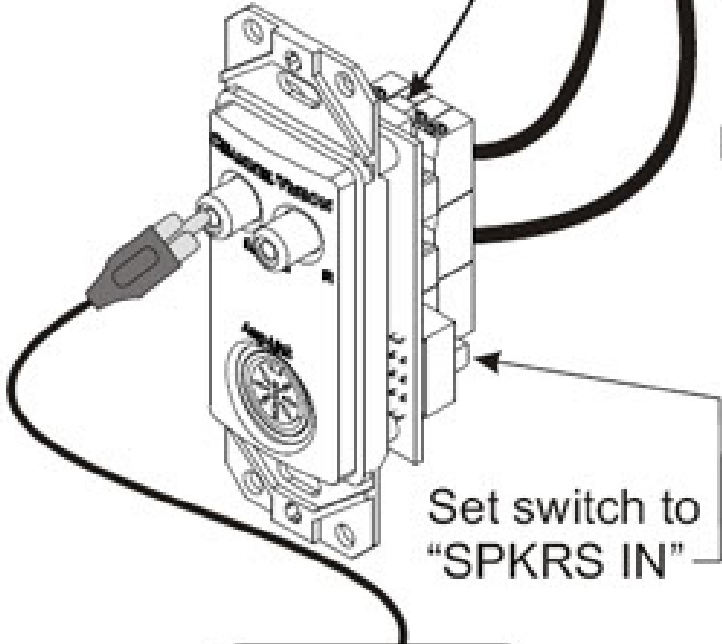


VC-302 Speaker Level
Volume Control
(bottom view)

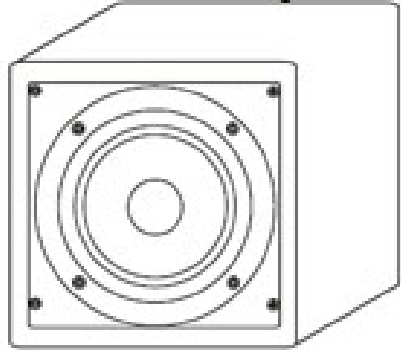
Place switch in SUB mode.
Speaker level audio is
converted to a mono line level
signal to drive the amplified
subwoofer.



Speaker Pair
Being powered by the
Distributed Audio System



Set switch to
"SPKRS IN"



Powered subwoofer